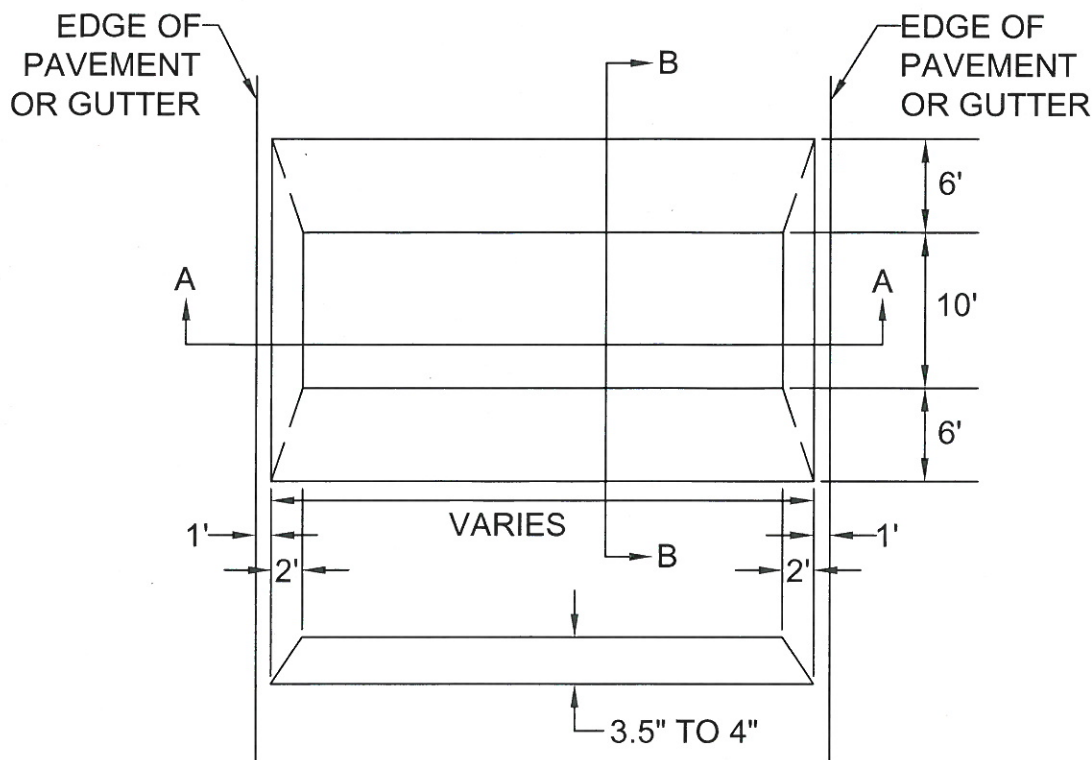
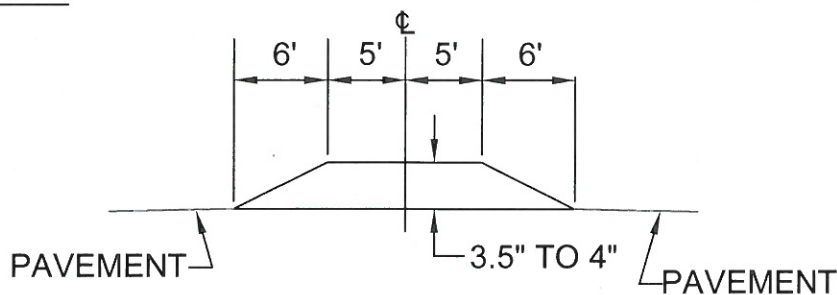




CITY OF CITRUS HEIGHTS GENERAL SERVICES DEPARTMENT



SECTION A-A



SECTION B-B

NOTES:

1. SPEED TABLES SHALL BE CONSTRUCTED IN ACCORDANCE WITH THESE DETAILS.
2. SPEED TABLE MARKINGS SHALL BE IN ACCORDANCE WITH MUTCD AS SHOWN ON SPEED TABLE DETAIL B.
3. SPEED TABLE SIGNAGE SHALL BE INSTALLED ON 2" "TELSPAR" (OR APPROVED EQUAL) BREAKAWAY POST WITH ANCHOR SET IN CONCRETE USING VANDAL-PROOF BOLTS.
4. FINAL SIGN PLACEMENT TO BE DETERMINED BY CITY IN FIELD.

APPROVED BY:

Stuart Hodgkins

STUART HODGKINS, ACTING CITY ENGINEER

SPEED TABLE
DETAIL A

APPROVAL DATE: 10/23/12

SCALE: NONE

DRAWN BY: Jing Le Liu

CD - 19A