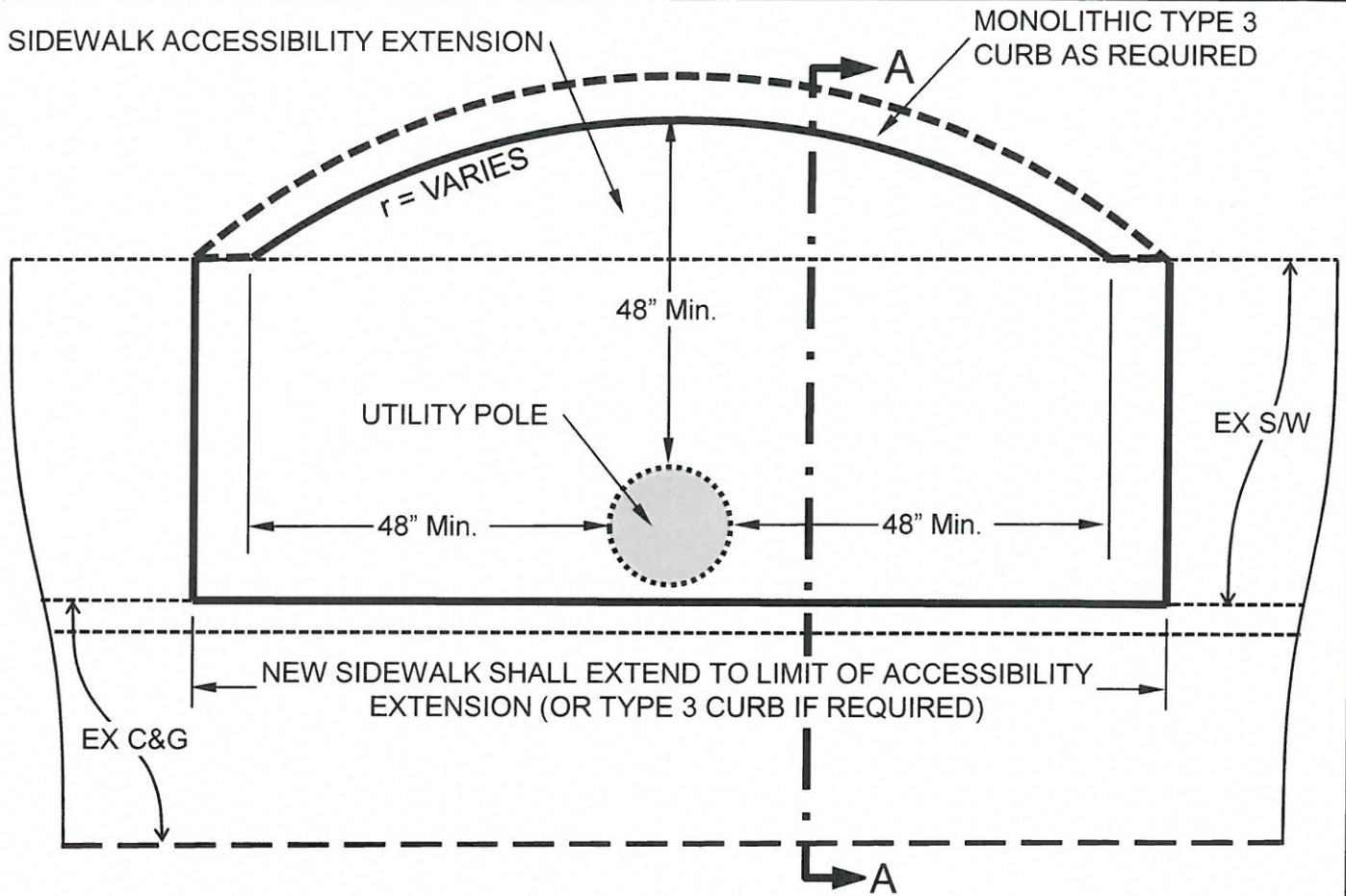
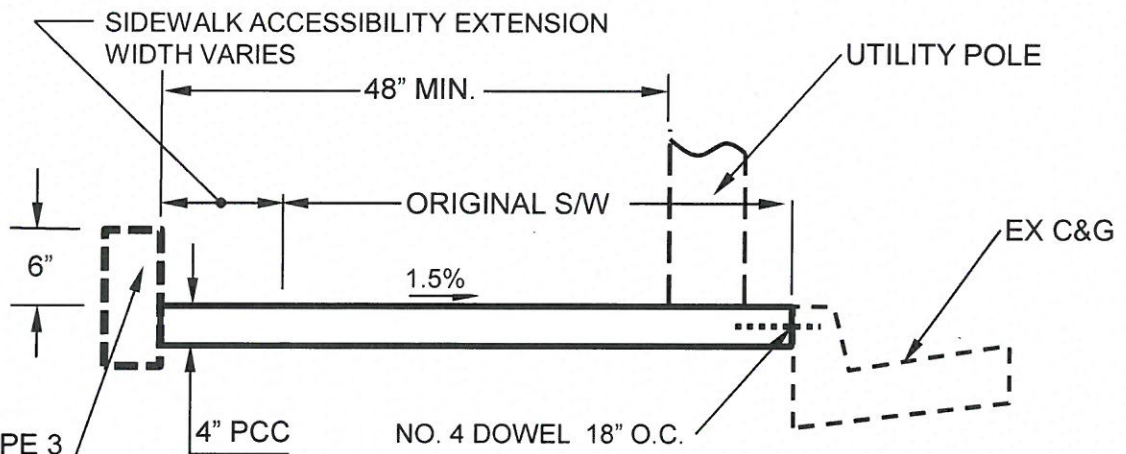




CITY OF CITRUS HEIGHTS GENERAL SERVICES DEPARTMENT



Plan



Section A - A

APPROVED BY:

Stuart Hodgkins
STUART HODGKINS, ACTING CITY ENGINEER

**SIDEWALK ACCESSIBILITY
EXTENSION**

APPROVAL DATE: 12/23/15

SCALE: NONE

DRAWN BY: S. Hodgkins

CD-11A