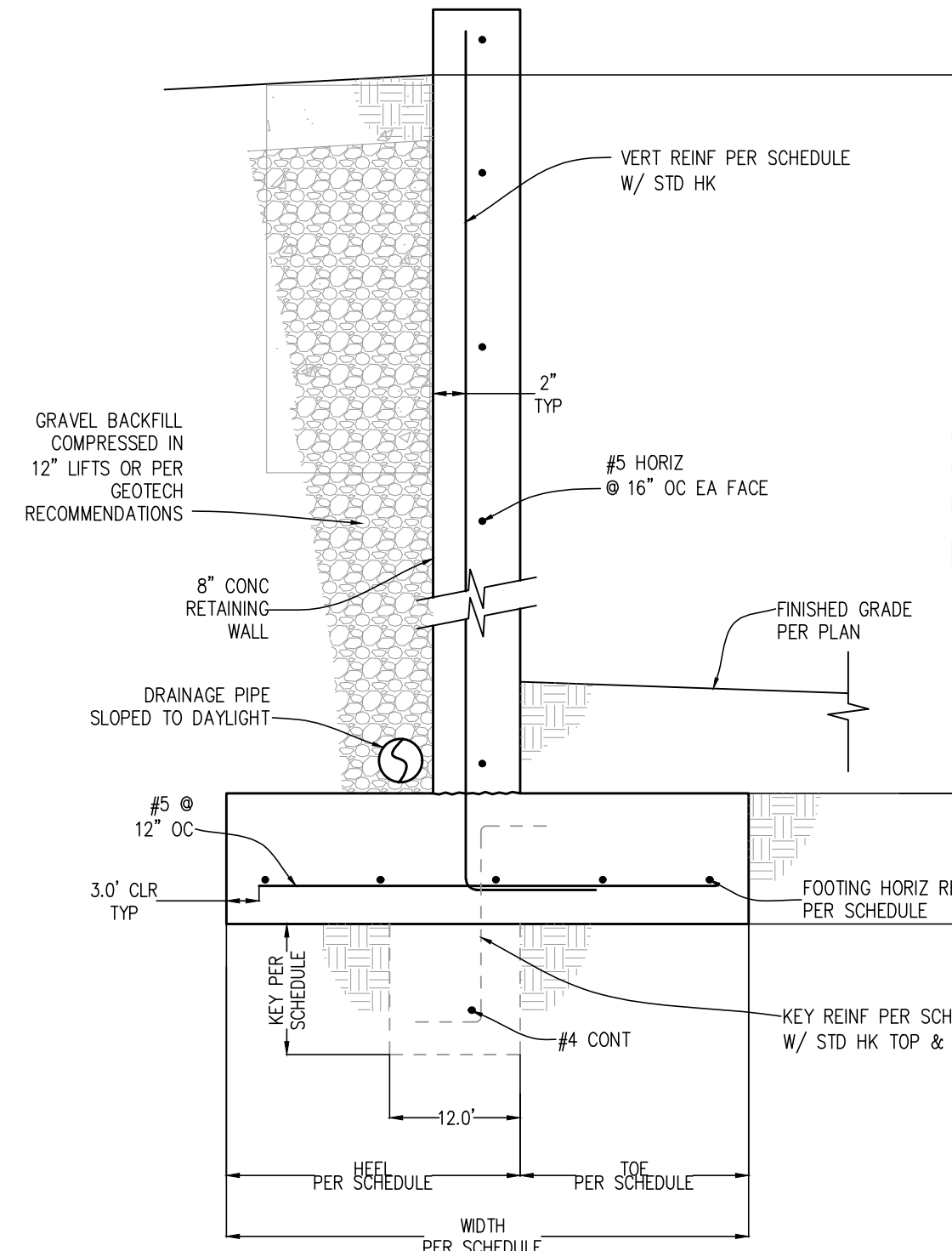
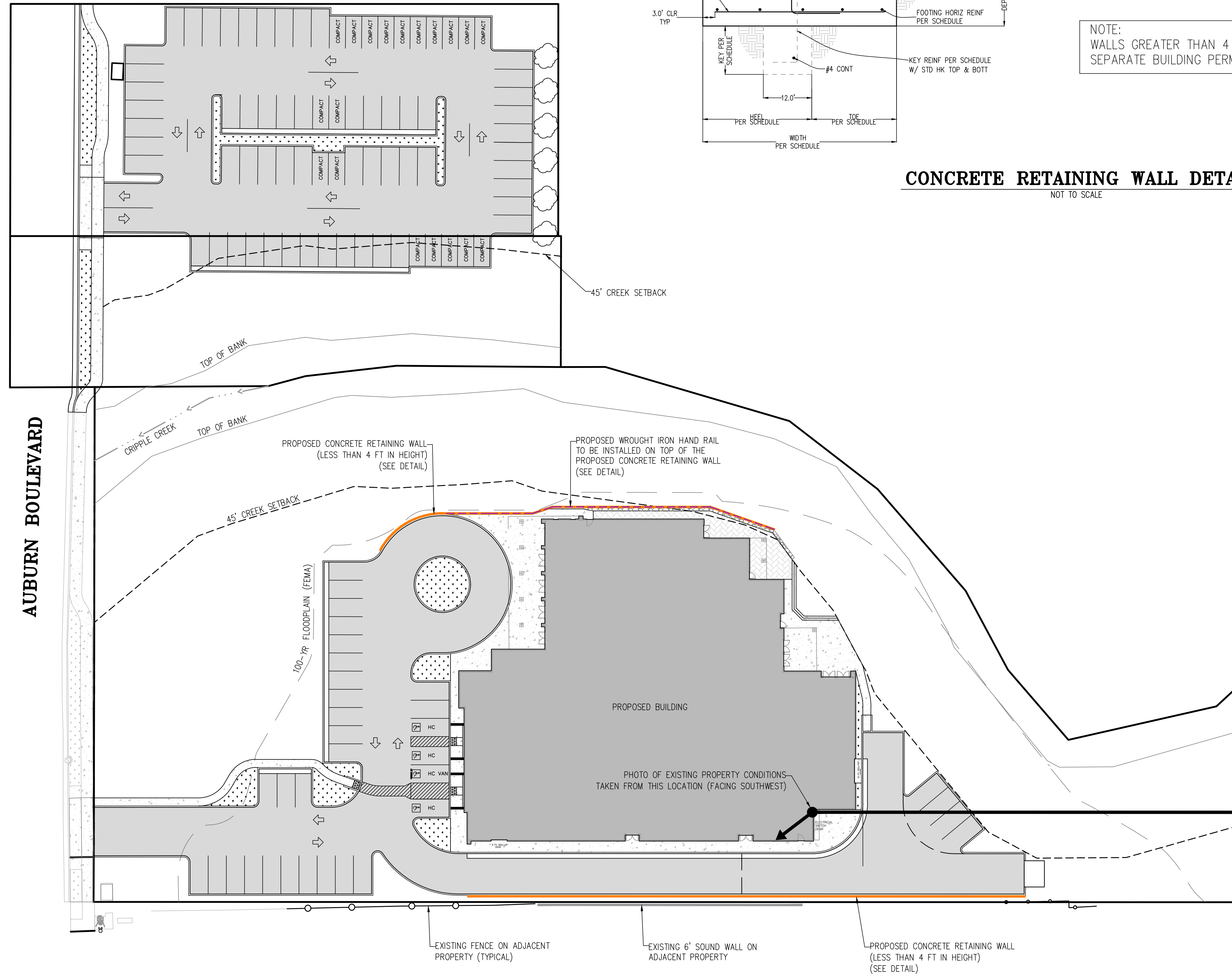
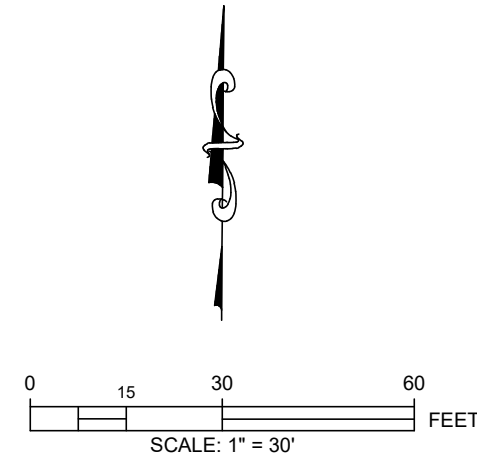


LEGEND	
	PROPOSED CONCRETE RETAINING WALL
	PROPOSED WROUGHT IRON HAND RAIL



RETAINING WALL SCHEDULE									
RETAINED HEIGHT	STEM	STEM VERTICAL REBAR	FOOTING HORIZONTAL REBAR	KEY REBAR	DEPTH	TOE	HEEL	WIDTH	KEY
3'-0"	8"	#5 @ 18" OC	(2) #5 CONT	NOT REQ'D	10"	6"	12"	18"	NOT REQ'D
4'-0"	8"	#5 @ 18" OC	(3) #5 CONT	NOT REQ'D	12"	9"	18"	27"	NOT REQ'D
5'-0"	8"	#5 @ 18" OC	(4) #5 CONT	NOT REQ'D	12"	15"	18"	33"	NOT REQ'D
6'-0"	8"	#5 @ 18" OC	(5) #5 CONT	NOT REQ'D	12"	24"	18"	42"	4"
7'-0"	8"	#5 @ 12" OC	(6) #5 CONT	#5 @ 12" OC	12"	30"	18"	48"	6"

- USE MINIMUM 40 KSI STEEL UNLESS NOTED OTHERWISE. #5 REBAR AND GREATER TO BE MINIMUM 60 KSI STEEL.
- USE MINIMUM 2500 PSI CONCRETE.
- REBAR OVERLAP TO BE MIN. 40 BAR DIAMETERS.
- COMPACTION EQUIPMENT SHOULD NOT BE USED DIRECTLY ADJACENT TO RETAINING WALLS UNLESS THE WALL IS DESIGNED OR BRACED TO RESIST THE ADDITIONAL LATERAL PRESSURES.
- DRAIN ROCK SHOULD CONSIST OF CALTRANS CLASS II, PERMEABLE DRAINAGE MATERIAL PLACED DIRECTLY BEHIND THE WALL; OR CRUSHED WASHED ROCK ENVELOPED IN A NON-WOVEN GEOTEXTILE FILTER FABRIC SUCH AS AMOCO 4546 OR EQUIVALENT.

NOTE:
WALLS GREATER THAN 4 FT REQUIRE A SEPARATE BUILDING PERMIT

CONCRETE RETAINING WALL DETAIL
NOT TO SCALE



WROUGHT IRON HAND RAIL DETAIL
NOT TO SCALE



REV.	DESCRIPTION	DATE
DESIGNED: REW		
DRAWN: LAS		
PROJ. NO: 20-0704		
DWG: SEE DAYSTAMP		
DATE: MARCH, 2021		